

Polarizing Microscope, Transmit



cod POL. PH102 TT

Product Details



Seidentopf Head

Inclined 30°, Rotatable 360°, Interpupillary Distance 48-75mm, High Eyepoint Eyepiece, Which Is Convenient For People With Different Sitting Height; The Integrated Design Of The Eyepiece Lens Barrel, Avoids The Loss And Contamination Of The Eyepiece And Enhances The Integrated Performance Of The Microscope

Polarizing Unit

Analyzer Media Unit 0~90° Adjustable, Between Head And Body With Compensator Slide, Quartz Wedge Slide, Polarizer Lens



Quadruple, Backward

4 Sets Objective Available: Achromatic, Plan, Infinity E-Plan, Infinity Plan.



Double Slide Holder Working Stage

Mechanical Stage Size: 145 mm×140mm, Travel: 76mmX52mm, Scale: 0.1mm



Condenser & Light Source

Abbe Condenser N.A.1.25, Iris Diaphragm, Rack & Pinion Up/Down, With Filter Holder

3W-LED Illumination Systems



Coaxial Coarse & Fine Focusing



Wire Winding Device



Holding Hole On Back



Powered By Safety Low Voltage Charger

Input Wide Voltage 100V-240V, Output 5V1A, Support Power Bank Supply For Outdoor Use

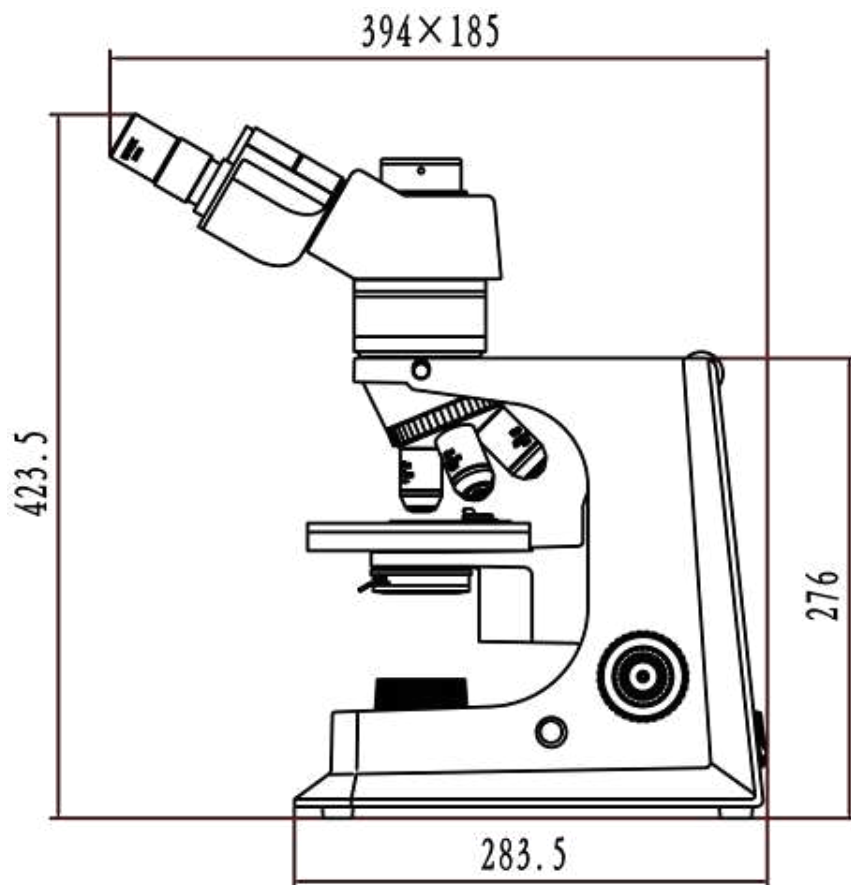


Product Specification

Items	A15.2603 Transmit Polarizing Microscope Specification	A	B	
Head	Seidentopf Binocular Head Inclined 30°, Eyetube Rotatable 360°, Interpupillary Distance 48-75mm	●	○	
	Seidentopf Trinocular Head Inclined 30°, Eyetube Rotatable 360°, Interpupillary Distance 48-75mm, , Light Split Fixed P20:E80	○	●	
Eyepiece	WF10x/20mm, High Eyepoint,	●	●	
	WF10x/20mm, With Micrometer X-0.1mm*180 Div / Y-Single Line, Diopter Adjustable	●	●	
Nosepiece	Quadruple, Backward	●	●	
Infinity Plan Objective	PLAN 2x/0.10, W.D.=12.1mm	●	●	
Non-Stress Infinity Plan Objective	PLAN 4x/0.10, W.D.=12.1mm	●	●	
	PLAN 10x/0.25,W.D.=4.64mm	●	●	
	PLAN 20x/0.40(S),W.D.=2.41mm	●	●	
	PLAN 40x/0.66(S),W.D.=0.65mm	●	●	
Working Stage	PLAN 60x/0.80(S),W.D.=0.33mm	●	●	
	Round Stage Diameter Φ142mm, Rotatable 360°, Division 1', Vernier Division 6', Can Be Locked, Center Adjustable	●	●	
	Attachable Mechanical Stage For Polarizing Microscope, Moving Range 40x40mm	○	○	
	Attachable Mechanical Stage For Polarizing Microscope, Moving Range 30x45mm, Lecia Type, Avoid Hitting Objective Lens	○	○	
Condenser	Non-Stress Abbe N.A.1.25, Iris Diaphragm, Center Adjustable With Polarizer Lens In Bottom	●	●	
Polarizing Unit	Analyzer Media Unit 0~90° Adjustable, Between Head And Body, With Built-in Bertrand Lens, Removeable Out of Optical Path For Single Polarizing Observe	●	●	
	Compensator Slide, 3 Holes, With λ Slip (First Class Red) + 1/4λ Slip.	●	●	
	Quartz Wedge Slide (I-IV Class)	●	●	
	Polarizer Lens, Bulit-in Bottom Part Of Condenser, Removeable Out of Optical Path	●	●	
Transmit Illumination	5W LED Lamp Powered By Safety Low Voltage Charger, Input Wide Voltage 100V-240V, Output 5V1A, Support Power Bank Supply For Outdoor Use	●	●	
	6V/30W Halogen Lamp	○	○	
Filter	Dia.45mm, Blue (Built in)	○	○	
	Dia.45mm, Green	○	○	
	Dia.45mm, Yellow	○	○	
	Dia.45mm, Neutral	○	○	
Adapter	C-Mount 0.5x, Focus Adjustable	○	○	
	C-Mount 0.75x, Focus Adjustable	○	○	
	C-Mount1.0x, Focus Adjustable	○	○	
	Digital Eyepiece Camera Adapter, Dia. 23.2mm/25mm	○	○	
Package	Carton Size 570×275×450mm, 1 Unit/Ctn			
Weight	Gross Weight: 8.6 kgs, Net Weight: 7.5 kgs			

Note: "●"In Table Is Standard outfits, "○" Is Optional Accessories.

Product Size(mm)



Product Multi-angle



Product Accessories



**C-Mount 0.5x
Focus
Adjustable**



**C-Mount 0.75x
Focus
Adjustable**



**C-Mount 1.0x
Focus
Adjustable**



**Digital Eyepiece
Camera Adapter
Dia. 23.2mm/25mm**



**Attachable Mechanical Stage, Lecia
Type**



**Attachable Polarizing Mechanical Stage,
Moving Range 40x40mm**

